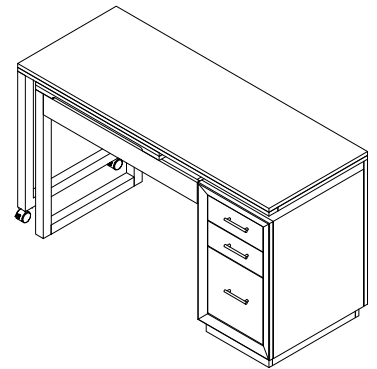


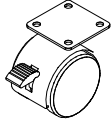
**Warning :**

- Be sure to check all packing material carefully for small parts, which may have come loose inside the carton during shipment.
- To prevent possible scratches and damage, this furniture must be assembled on a soft surface such as a blanket or carpet.

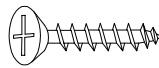


**Components and Hardware List**

Caster



#4"x 20mm Screw



H1

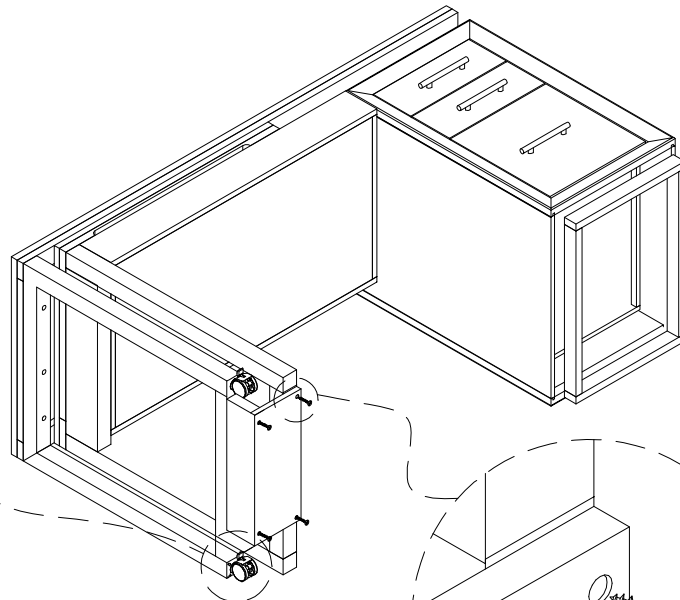
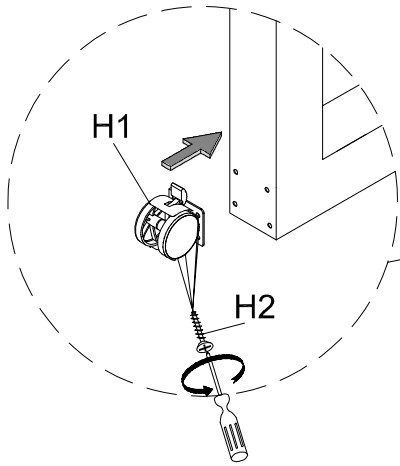
2 pcs.

H2

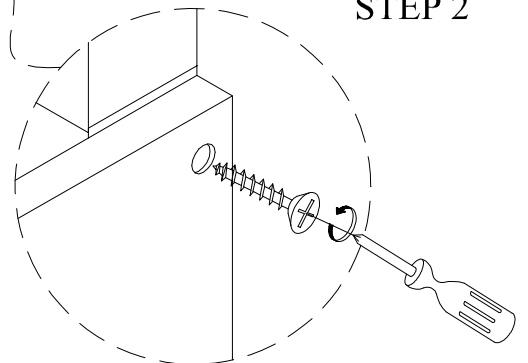
8 pcs.

23932  
Swivel Lift-Top L Desk

**STEP 1**

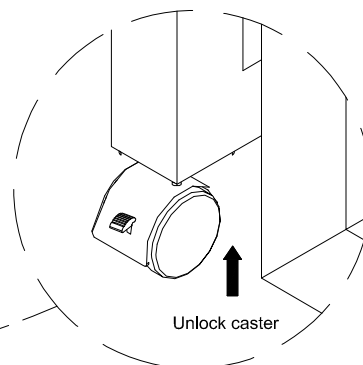
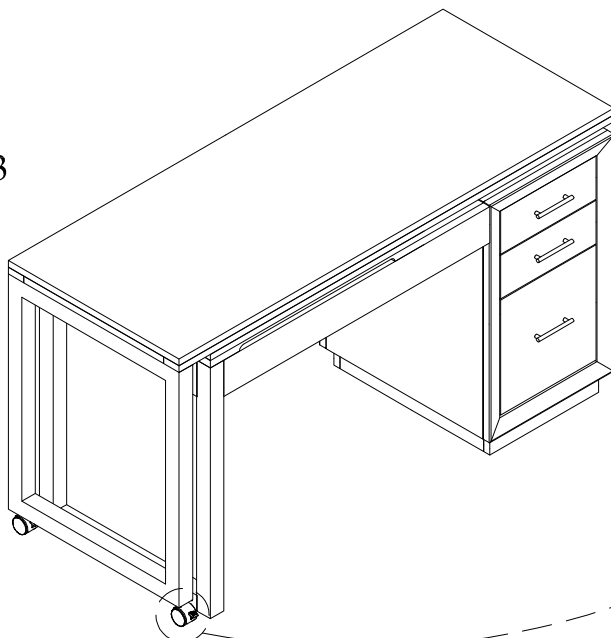


**STEP 2**

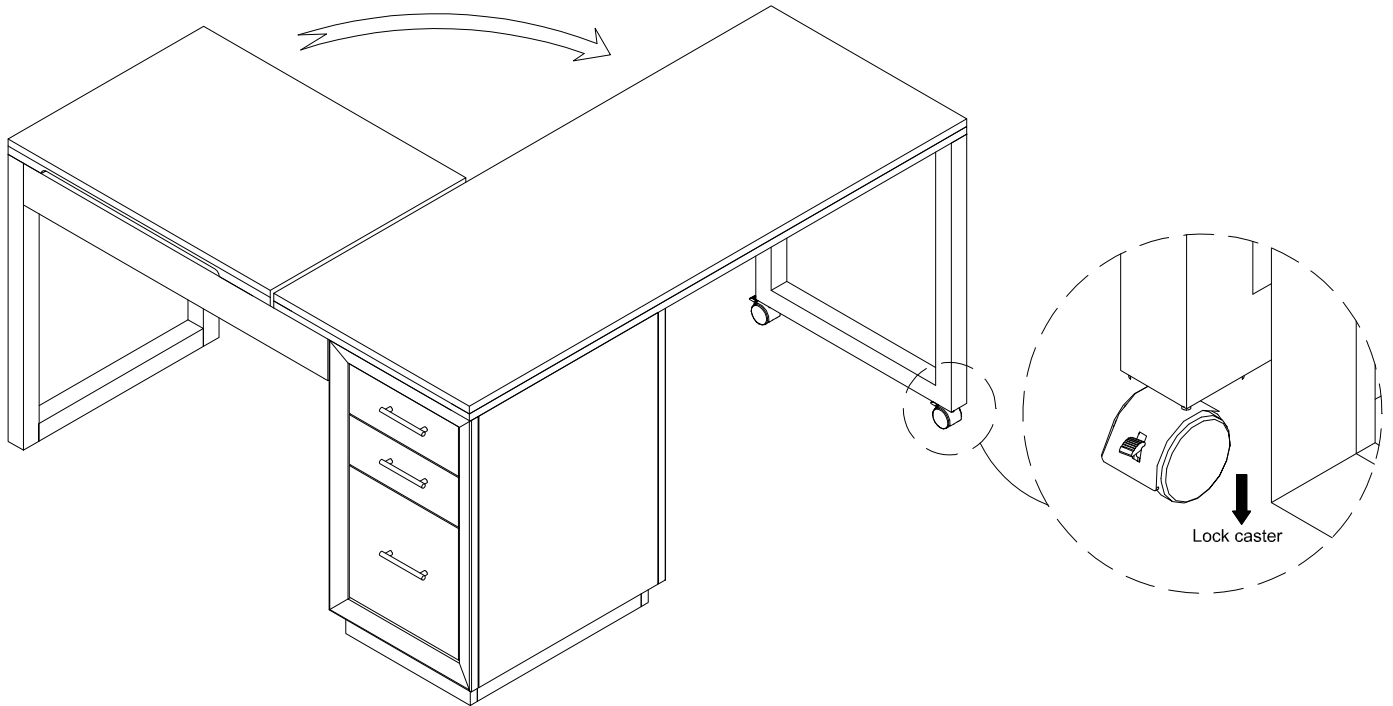


Remove shipping brace by removing screws as shown

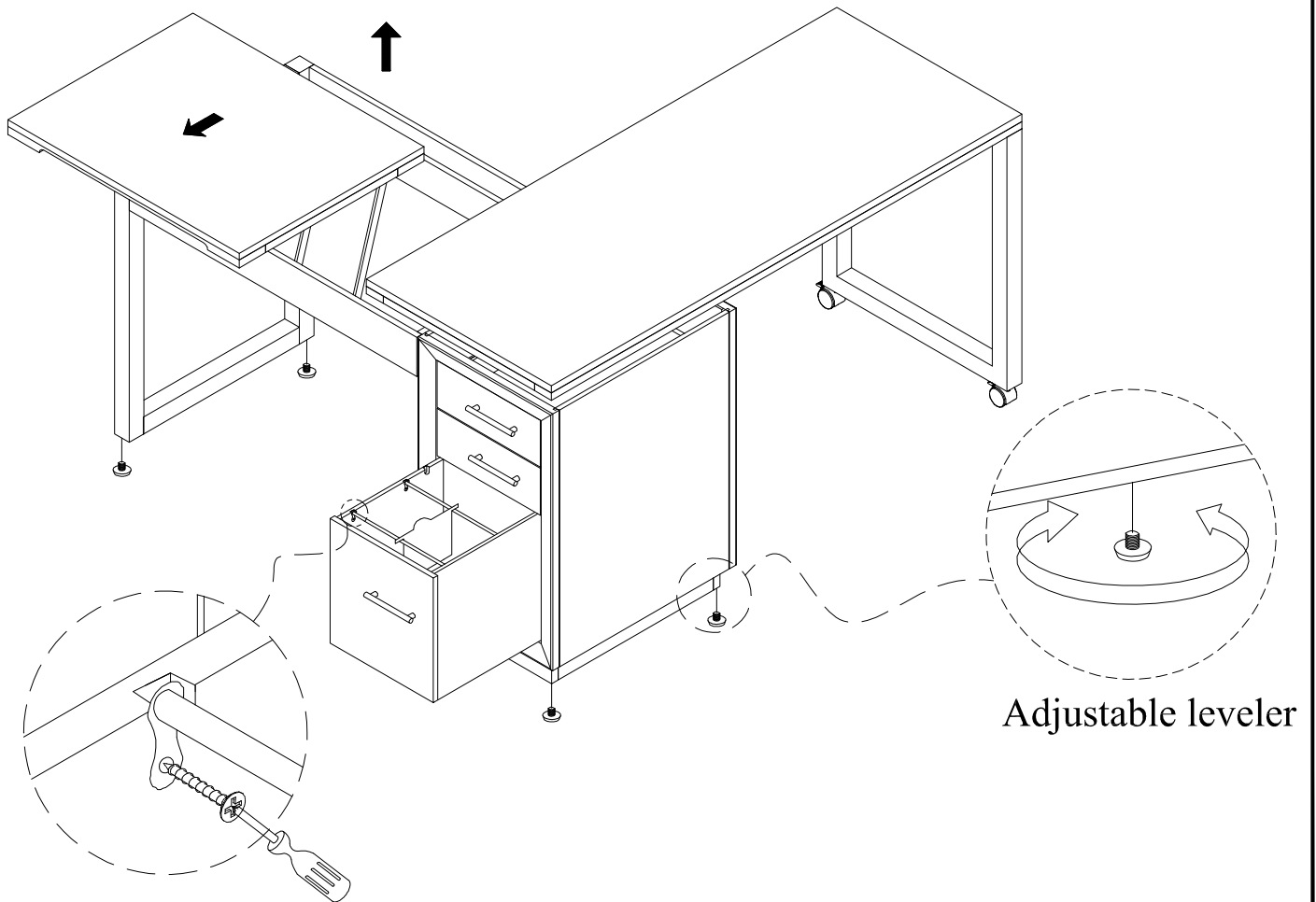
**STEP 3**



STEP 4



STEP 5



Unscrew to adjust the file rod